

BLANCO ANDANO 500-U

Item No. 522967

Pros



A symphony in stainless steel

- Unique composition of optical and functional elements
- The harmonious interplay between the radii and surface design creates a modern appeal
- High quality features consisting of a covered C-overflow™ and InFino™ drain system – gracefully integrated and easy-care
- Large bowl capacity and fully utilisable base
- For installation from above or undermount installation
- Elegant: glass cutting board in silver-look and s/s colander

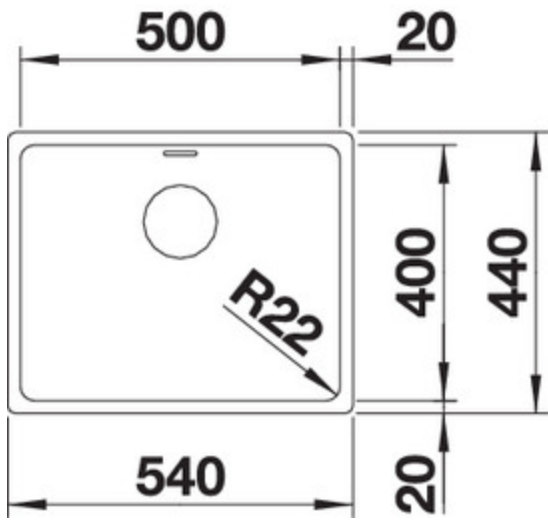
Surfaces



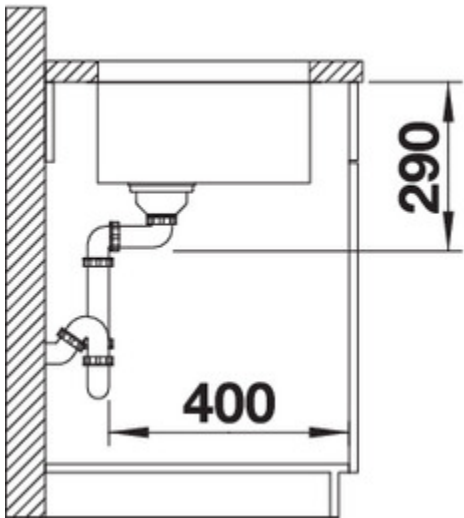
stainless steel satin polish

Item No. 522967

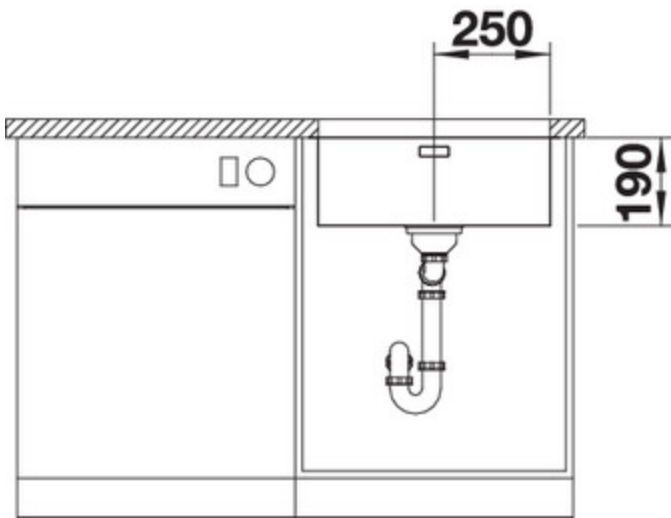
Details



Top View



Side View



Front View

Scope of supply

waste and overflow fitting with space-saving pipe, 3 1/2" InFino™
basket strainer, fixing kit (sealing not included)

Design tips

Width of base unit : 60 cm

Bowl depth: 190 mm

Taps



BLANCO VONDA

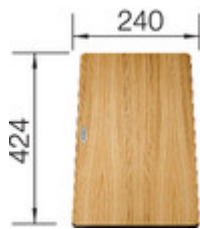
chrome

518434

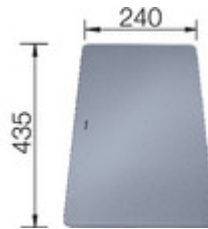
optional



Top-Rails
235906



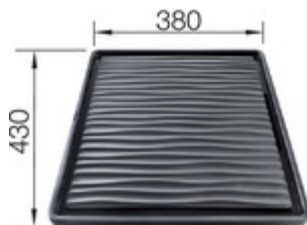
Ash compound chopping
board
230700



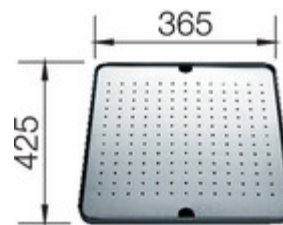
Cutting board
227697



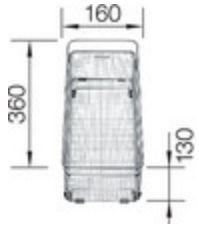
Multifunctional colander
227692



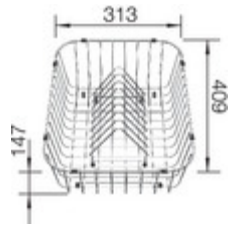
Drainer
black
230734



Draining tray with stainless
steel insert
black
513485



Multifunctional wire basket
223297



Crockery basket and stack
507829